

JVC

SERVICE MANUAL

CD/CASSETTE RECEIVER

KW-XC780

Area Suffix

UNIndonesia

This model is a genuine model for Indonesian Honda of KW-XC770.
This model is KW-XC780 UN that is added to the preceding model,
the KW-XC770 U. Therefore the service manual for this model is consisting of Parts list only.
For others, please refer to the service manual of KW-XC770 (issue No.49527).

■ Parts list(General assembly)

P3-5 Block No. M1MM

△	Item	Parts name	Parts number		Q'ty
			KW-XC770	KW-XC780	
	22	FRONT PANEL	LV31237-001A	LV31237-007A	1
	23	FINDER	LV20219-007A	LV20219-012A	1
	53	NAME PLATE	LV31708-001A	LV32786-001A	1
	54	CAUTION LABEL	LV41015-001A	-----	1
	69	TRIM PLATE	-----	LV21055-001A	1
	70	BRACKET R	-----	LV42375-001A	1
	71	BRACKET L	-----	LV42376-001A	1
	72	SPACER (F)	-----	LV40846-014A	1
	73	SCREW	-----	QYSSSP5008Z	4
	74	SCREW	-----	QYSSSP4006Z	4

■ Parts list(CD mechanism)

P3-8 Block No. M3MM

△	Item	Parts name	Parts number		Q'ty
			KW-XC770	KW-XC780	
	14	FIX PLATE(L)	30310119T	30310150T	1
	53	CD PICK UNIT	OPTIMA-720A1	OPTIMA-720L1	1

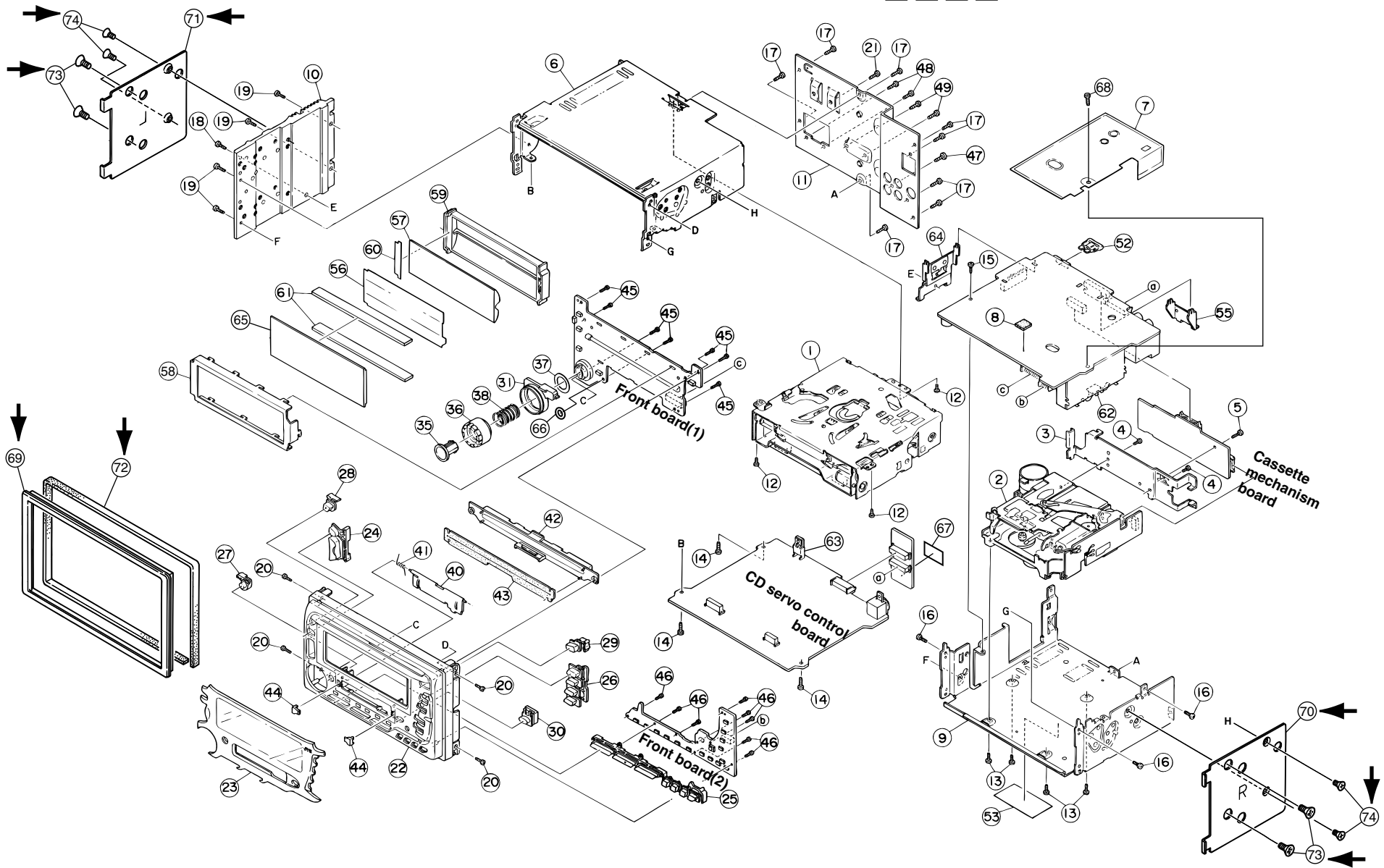
■ Electrical parts list(Cassette board)

P3-10-P3-11 Block No. 01

△	Item	Parts name	Parts number		Q'ty
			KW-XC770	KW-XC780	
	D703	ZENER DIODE	MTZJ4.7B-T1	MTZJ5.6BT1	1
	R740	MG RESISTOR	NRSA02J-102X	NRSA02J-471X	1

Exploded view of general assembly and parts list

Block No. **M 1 M M**



■ Parts list(Packing)

P3-19 Block No. M4MM

△	Item	Parts name	Parts number		Q'ty
			KW-XC770	KW-XC780	
	P1	POLY BAG	QPA01703505P	-----	1
	P3	POLY BAG	QPA00801205	-----	1
	P4	CARTON	LV31639-001A	LV31639-003A	1
	P5	CUSHION(L)	LV10221-001A	LV10221-002A	1
	P6	CUSHION(R)	LV10222-001A	LV10222-002A	1
	P7	POLY BAG	-----	QPA00801205	1

■ Parts list(Accessories)

P3-19 Block No. M5MM

△	Item	Parts name	Parts number		Q'ty
			KW-XC770	KW-XC780	
	A1	INST.BOOK	LVT0403-001A	-----	1
	A2	INST.MANUAL	LVT0401-001A	-----	1
	A3	WARRANTY CARD	BT-51018-2	-----	1
	A4	J=REGIST CARD	BT-51020-2	-----	1
	A5	JVC CENTER LIST	BT20071B	-----	1
	A6	TROUBLE SHOOTING	LVT0326-001C	-----	1
	A7	INFO.SHEET	LV41155-001A	-----	1
	A8	CAUTION SHEET	LVT0430-001A	-----	1
	A9	BLIND PLATE	VJC3300-001	-----	1
	A10	SCREW	QYSDSP5006Z	-----	1
	A11	SCREW	QYSSSP5006Z	-----	1
	A13	REMOCON	QAL0075-001	QAL0317-001	1
	A16	SCREW	-----	QYSDSP5008Z	6

JVC

VICTOR COMPANY OF JAPAN, LIMITED

MOBILE ELECTRONICS DIVISION

PERSONAL & MOBILE NETWORK BUSINESS UNIT. 10-1,1Chome,Ohwatari-machi,Maebashi-city,Japan